

PEAK

window
friction stays



2010 Version

 **Cylax Limited**

A member of the Crossfire-group, UK

PB115 Slimline 15mm Friction Stays

PEAK WINDOW FRICTION STAYS



- High-grade Austenitic 304 stainless steel
- Brass slider ensures strength, durability and security
- Channel width 15mm, bar width 15mm
- stack height 15mm (+0.5mm)
- For large or heavy windows, it is strongly recommended to restrict the opening to less than 45 ° and use additional support arm or restrictor stay

Technology Data							
Part. No.	Size	Application	Stack Height (+0.5mm)	Max. Height (mm)	Max. Width (mm)	Max. Window Weight (kg)	Opening angle (±2°)
PB11508TN	8"	Top Hung	13.5/15	350	1200	10	60
PB11510TN	10"	Top Hung	13.5/15	400	1200	15	65
PB11512TN	12"	Top Hung	13.5/15	500	1200	17	65
PB11514TN	14"	Top Hung	13.5/15	650	1200	19	65
PB11516TN	16"	Top Hung	13.5/15	750	1200	20	65
PB11518TN	18"	Top Hung	13.5/15	850	1200	21	65
PB11520TN	20"	Top Hung	13.5/15	950	1200	23	42
PB11510SN	10"	Side Hung	13.5/15	1200	500	13	87
PB11512SN	12"	Side Hung	13.5/15	1200	600	15	87
PB11514SN	14"	Side Hung	13.5/15	1200	650	16	87
PB11516SN	16"	Side Hung	13.5/15	1200	700	18	87
PB11518SN	18"	Side Hung	13.5/15	1200	750	19	87



Cylax Limited

Tel: (852) 3105 9933 Fax: (852) 3007 4895 E-Mail: info@cylaxltd.com

<http://www.cylaxltd.com> & <http://www.alibaba.com/member/cylax/product.html>



PB118 Standard Friction Stays

PEAK
WINDOW FRICTION STAYS



- High-grade Austenitic 304 stainless steel
- Brass slider ensures strength, durability and security
- Channel width 18mm, bar width 16mm
- Stack height 13.5mm / 15.5mm (+0.5mm)
- Reinforced bars for your choice
- For large or heavy windows, it is strongly recommended to restrict the opening to less than 45 ° and use additional support arm or restrictor stay

Technical Data							
Part No.	Size	Application	Stack Height (+0.5mm)	Max. Height (mm)	Max. Width (mm)	Max. Window Weight (kg)	Opening angle (±2°)
PB11808TN	8"	Top Hung	13.5/15.5	350	1200	11	60
PB11810TN	10"	Top Hung	13.5/15.5	400	1200	16	65
PB11812TN	12"	Top Hung	13.5/15.5	500	1200	18	65
PB11814TN	14"	Top Hung	13.5/15.5	650	1200	19	65
PB11816TN	16"	Top Hung	13.5/15.5	750	1200	20	65
PB11818TN	18"	Top Hung	13.5/15.5	850	1200	22	65
PB11820TN	20"	Top Hung	13.5/15.5	950	1200	24	42
PB11810SN	10"	Side Hung	13.5/15.5	1200	500	13	87
PB11812SN	12"	Side Hung	13.5/15.5	1200	600	15	87
PB11814SN	14"	Side Hung	13.5/15.5	1200	650	17	87
PB11816SN	16"	Side Hung	13.5/15.5	1200	700	18	87
PB11818SN	18"	Side Hung	13.5/15.5	1200	750	20	87



Tel: (852) 3105 9933 Fax: (852) 3007 4895 E-Mail: info@cylaxltd.com

<http://www.cylaxltd.com> & <http://www.alibaba.com/member/cylax/product.html>

PB122 Friction Stays

PEAK
WINDOW FRICTION STAYS



- High-grade Austenitic 304 stainless steel
- Brass slider ensures strength, durability and security
- Channel width 22mm, bar width 18mm, bar thickness 2.5mm
- Stack height 16.5mm (+0.5mm)
- Reinforced bars available for your choice
- For large or heavy windows, it is strongly recommended to restrict the opening to less than 45 ° and use additional support arm or restrictor stay

Technical Data							
Part No.	Size	Application	Stack Height (+0.5mm)	Max. Height (mm)	Max. Width (mm)	Max. Window Weight (kg)	Opening angle (±2°)
PB12208TN	8"	Top Hung	16.5	350	1200	15	60
PB12210TN	10"	Top Hung	16.5	400	1200	19	65
PB12212TN	12"	Top Hung	16.5	500	1200	23	65
PB12214TN	14"	Top Hung	16.5	650	1200	25	65
PB12216TN	16"	Top Hung	16.5	750	1200	26	65
PB12218TN	18"	Top Hung	16.5	850	1200	28	65
PB12220TN	20"	Top Hung	16.5	950	1200	33	42
PB12210SN	10"	Side Hung	16.5	1200	500	15	87
PB12212SN	12"	Side Hung	16.5	1200	600	18	87
PB12214SN	14"	Side Hung	16.5	1200	650	19	87
PB12216SN	16"	Side Hung	16.5	1200	700	20	87
PB12218SN	18"	Side Hung	16.5	1200	750	23	87



Tel: (852) 3105 9933 Fax: (852) 3007 4895 E-Mail: info@cylaxltd.com

<http://www.cylaxltd.com> & <http://www.alibaba.com/member/cylax/product.html>

PN115 Slineline 15mm Friction Stays

PEAK
WINDOW FRICTION STAYS



- High-grade Austenitic 304 stainless steel
- Nylon and steel reinforced slider ensures smooth operation and durability
- Channel width 15mm, stack height 15mm (+0.5mm)
- For large or heavy windows, it is strongly recommended to restrict the opening to less than 45 ° and use additional support arm or restrictor stay

Technology Data						
Part. No.	Size	Application	Max. Height (mm)	Max. Width (mm)	Max. Window Weight (kg)	Opening angle (±2°)
PN11508TN	8"	Top Hung	350	1200	11	60
PN11510TN	10"	Top Hung	400	1200	16	65
PN11512TN	12"	Top Hung	500	1200	18	65
PN11514TN	14"	Top Hung	650	1200	19	65
PN11516TN	16"	Top Hung	750	1200	20	65
PN11518TN	18"	Top Hung	850	1200	22	65
PN11520TN	20"	Top Hung	950	1200	24	42
PN11510SN	10"	Side Hung	1200	500	13	87
PN11512SN	12"	Side Hung	1200	600	15	87
PN11514SN	14"	Side Hung	1200	650	17	87
PN11516SN	16"	Side Hung	1200	700	20	87
PN11518SN	18"	Side Hung	1200	750	20	87



Tel: (852) 3105 9933 Fax: (852) 3007 4895 E-Mail: info@cylaxltd.com
<http://www.cylaxltd.com> & <http://www.alibaba.com/member/cylax/product.html>

PN118 Standard Friction Stays

PEAK WINDOW FRICTION STAYS



- High-grade Austenitic 304 stainless steel
- Suitable for standard or light domestic windows
- Nylon and steel reinforced slider ensures durability and smooth operation
- Channel widths 18mm, bar width 16mm
- Stack heights 13.5mm/15.5mm (+0.5mm)
- Stack height, opening angles can be tailor-made to suit your requirements
- For large or heavy windows, it is strongly recommended to restrict the opening to less than 45 ° and use additional support arm or restrictor stay

Technical Data							
Part No.	Size	Application	Stack Height (+0.5mm)	Max. Height (mm)	Max. Width (mm)	Max. Window Weight (kg)	Opening angle (±2°)
PB11808TN	8"	Top Hung	13.5/15.5	350	1200	12	60
PB11810TN	10"	Top Hung	13.5/15.5	400	1200	18	65
PB11812TN	12"	Top Hung	13.5/15.5	500	1200	20	65
PB11814TN	14"	Top Hung	13.5/15.5	650	1200	21	65
PB11816TN	16"	Top Hung	13.5/15.5	750	1200	22	65
PB11818TN	18"	Top Hung	13.5/15.5	850	1200	23	65
PB11820TN	20"	Top Hung	13.5/15.5	950	1200	26	42
PB11810SN	10"	Side Hung	13.5/15.5	1200	500	13	87
PB11812SN	12"	Side Hung	13.5/15.5	1200	600	15	87
PB11814SN	14"	Side Hung	13.5/15.5	1200	650	17	87
PB11816SN	16"	Side Hung	13.5/15.5	1200	700	18	87
PB11818SN	18"	Side Hung	13.5/15.5	1200	750	20	87



Cylax Limited

Tel: (852) 3105 9933 Fax: (852) 3007 4895 E-Mail: info@cylaxltd.com

<http://www.cylaxltd.com> & <http://www.alibaba.com/member/cylax/product.html>

PN122 Friction Stays

PEAK WINDOW FRICTION STAYS



- High-grade Austenitic 304 stainless steel
- Brass slider ensures strength, durability and security
- Channel width 22mm, bar width 17/18mm, bar thickness 2.5mm
- Stack height 16.5mm (+0.5mm)
- Reinforced bars available for your choice
- For large or heavy windows, it is strongly recommended to restrict the opening to less than 45 ° and use additional support arm or restrictor stay

Technical Data							
Part No.	Size	Application	Stack Height (+0.5mm)	Max. Height (mm)	Max. Width (mm)	Max. Window Weight (kg)	Opening angle (±2°)
PN12208TN	8"	Top Hung	16.5	350	1200	16	60
PN12210TN	10"	Top Hung	16.5	400	1200	20	65
PN12212TN	12"	Top Hung	16.5	500	1200	23	65
PN12214TN	14"	Top Hung	16.5	650	1200	25	65
PN12216TN	16"	Top Hung	16.5	750	1200	26	65
PN12218TN	18"	Top Hung	16.5	850	1200	28	65
PN12220TN	20"	Top Hung	16.5	950	1200	33	42
PN12210SN	10"	Side Hung	16.5	1200	500	15	87
PN12212SN	12"	Side Hung	16.5	1200	600	18	87
PN12214SN	14"	Side Hung	16.5	1200	650	19	87
PN12216SN	16"	Side Hung	16.5	1200	700	20	87
PN12218SN	18"	Side Hung	16.5	1200	750	24	87



Tel: (852) 3105 9933 Fax: (852) 3007 4895 E-Mail: info@cylaxltd.com

<http://www.cylaxltd.com> & <http://www.alibaba.com/member/cylax/product.html>

PBHDH Heavy Duty Friction Stays

PEAK
WINDOW FRICTION STAYS



- High-grade Austenitic 304 stainless steel with strengthened steel and plastic slider for smooth operation, and ensure durability and security
- Channel width 22mm, bar width 19mm, unique asymmetric design of end cap locator for accurate closure, security, and weather-sealing
- Suitable for large and heavy top hung or side hung commercial windows up to 90kgs
- Stack height, bar thickness, opening angle can be tailor-make to suit your window profiles
- For large or heavy windows, it is strongly recommended to restrict the opening to less than 45 ° and use additional support arm or restrictor stay

Size	Application	Stack height	Max. Height (mm)	Max. width (mm)	Max. Window weight (kg)	Opening Angle (±2)
10"	Top Hung	15.5	500	1200	33	50
12"	Top Hung	15.5	650	1200	42	50
14"	Top Hung	15.5	750	1200	46	50
16"	Top Hung	15.5	850	1200	52	50
18"	Top Hung	15.5	1000	1200	56	50
20"	Top Hung	15.5	1100	1200	65	50
22"	Top Hung	15.5	1200	1200	70	45
24"	Top Hung	15.5	1300	1500	75	45
26"	Top Hung	16.5	1800	2000	90	23
12"	Side Hung	16	1200	600	38	85
14"	Side Hung	16	1200	650	40	87
16"	Side Hung	16	1200	700	42	87
18"	Side Hung	16	1200	750	45	87



Tel: (852) 3105 9933 Fax: (852) 3007 4895 E-Mail: info@cylaxltd.com
<http://www.cylaxltd.com> & <http://www.alibaba.com/member/cylax/product.html>



PWHDN Top Hung Heavy Duty Friction Stays

PEAK
WINDOW FRICTION STAYS



- Heavy Duty Friction Stay is specially designed for heavy and large top hung windows/curtain wall system
- Square Channel, channel width 22mm, bar width 18mm
- Well design features can prevent window from falling down
- Sizes available from 10" to 28", maximum opening angle 35"
- Stack height 16mm/16.5mm or tailor make to fit special requirements
- bar thickness depends on installation and window design requirements, the maximum weight loading can achieve 125kgs
- For large and heavy window, it is recommended to use additional support arm



Tel: (852) 3105 9933 Fax: (852) 3007 4895 E-Mail: info@cylaxltd.com

<http://www.cylaxltd.com> & <http://www.alibaba.com/member/cylax/product.html>

PBSH Standard British Style Friction stays

PEAK

WINDOW FRICTION STAYS



- Manufactured from high-graded ferretic 430 stainless steel.
- Excellent design to suit a wide variety of window profiles
- Channel width 18mm, bar width 16mm
- 13mm stack height is standard, 16mm and 17mm stack heights are for uPVC or wooden windows when profile shape or cutting size requires the fitting of a high stack friction stay
- Stack height, bar thickness, and opening angle can be tailor-make to suit your requirements

Size	Application	Length (mm)	Max. Height (mm)	Max. Width (mm)	Max. window weight (kgs)	Opening Angle ((±2)
8"	Top Hung	200	350	1200	11	65
10"	Top Hung	260	400	1200	16	65
12"	Top Hung	310	550	1200	17	65
16"	Top Hung	402	750	1200	18	65
20"	Top Hung	515	1000	1200	24	40
24"	Top Hung	616	1100	1200	28	40
12"	Side Hung	312	1200	550	19	65
16"	Side Hung	410	1200	720	25	65



Cylax Limited

Tel: (852) 3105 9933 Fax: (852) 3007 4895 E-Mail: info@cylaxltd.com

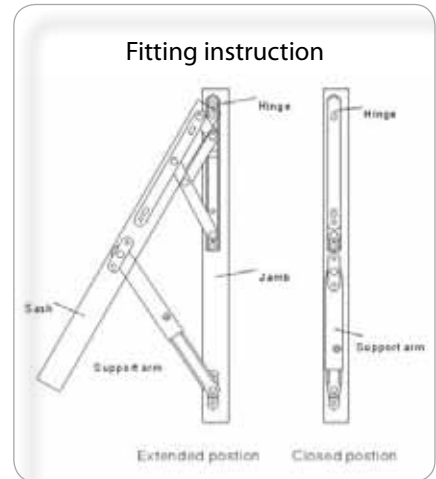
<http://www.cylaxltd.com> & <http://www.alibaba.com/member/cylax/product.html>

Support Arms / Expansion Arms

PEAK
WINDOW FRICTION STAYS

SA1 Support arm / Storm arm / Expansion arm

- Suitable for top hung window
- Special design allows window sash to lock at 5 different angle positions
- When close the window, the window has to be pushed fully



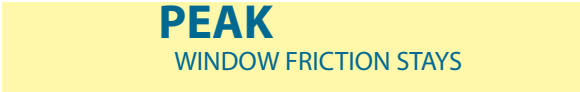
SA2 Support arm / Storm arm / Expansion arm

- Mostly suitable for top hung windows to restrict the opening angle
- Build-in locking feature allows window to be locked and opened at a desirable angle
- To unlock the support arm, simply lift the sash and then close the window

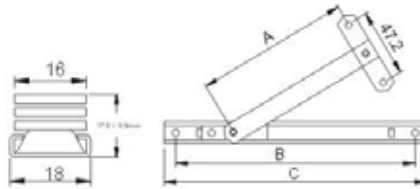


Tel: (852) 3105 9933 Fax: (852) 3007 4895 E-Mail: info@cylaxltd.com
<http://www.cylaxltd.com> & <http://www.alibaba.com/member/cylax/product.html>

TB Two-bar Support Arm/Restrictor Stays

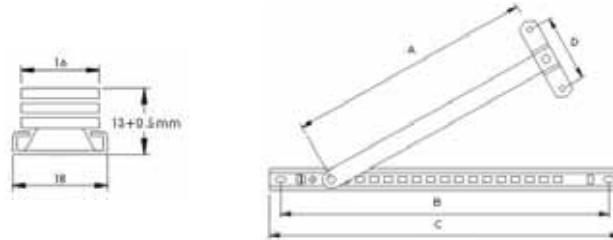


TB1



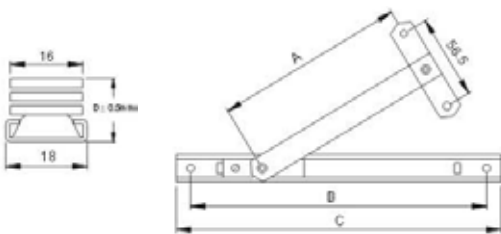
Size	8"	10"	12"	14"	16"
A	140	191	221	267	318
B	205	256	286	332	388
C	217	268	298	344	400

TB2



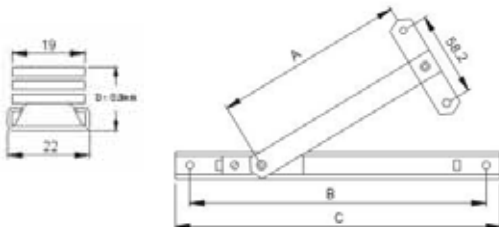
Size	8"	12"
A	115	216.5
B	109.5	278
C	194	296
D	44.5	44.5

TB3



18mm channel, 16mm bar width					
Size	8.5"	10.5"	12"	14"	16"
A	127	180	209	251	314
B	197	249	279	325	381
C	216	288	298	344	400
D	13	13	13	13.5	13.5

22mm channel, 18mm bar width					
Size	8.5"	10.5"	12"	14"	16"
A	123	177	207	249	312
B	197	249	279	325	381
C	216	268	298	344	400
D	13	13	13	13.5	13.5



Tel: (852) 3105 9933 Fax: (852) 3007 4895 E-Mail: info@cylaxltd.com

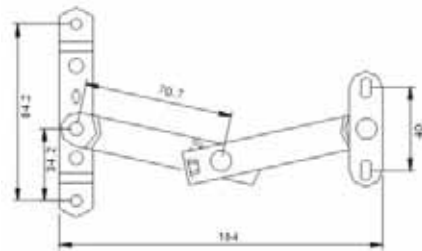
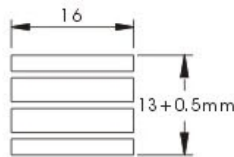
<http://www.cylaxltd.com> & <http://www.alibaba.com/member/cylax/product.html>

Special types of Support arms/Restrictor Stays

RF-LK (with key)



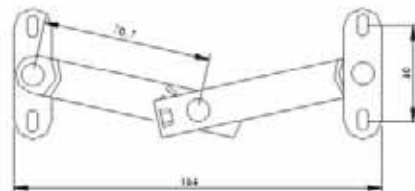
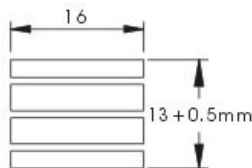
Peak restrictor stay with key locking system, which limits the window opening to 100mm, provides both a safety device against child climbing across windows and an effective protection from window break-ins. It also allows fresh air coming inside so as to save energy cost while it locks the window to avoid strong wind closing the window. The window can fully open simply by unlocking the restrictor with the designer's key provided.



RF- NK (without key)



You have a choice of no key!

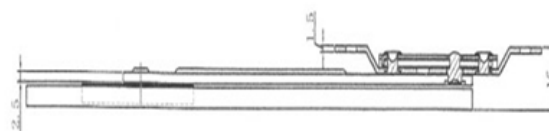
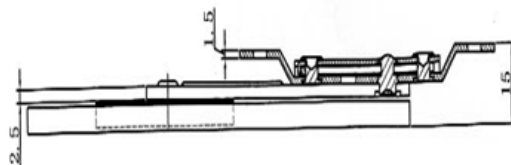
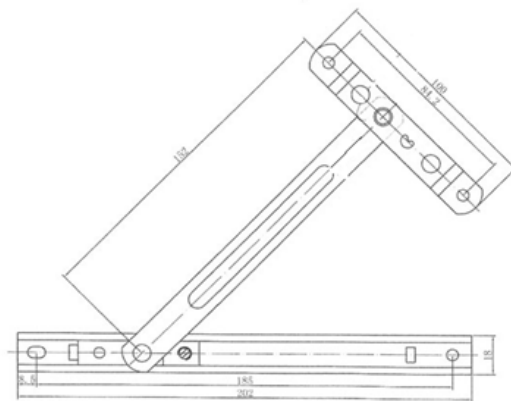
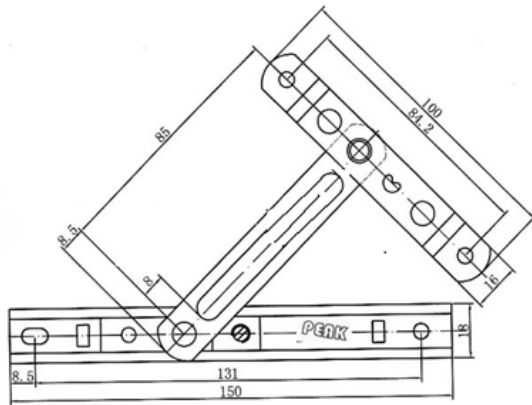


TBS Two-bar Safety Restrictor Stay with Locking System

PEAK
WINDOW FRICTION STAYS

TBRS-06- 6" / TBRS08 - 8" TWO-BAR RESCTRICTOR STAY WITH KEY LOCKING

- 15mm/16mm stack height .
- The connection bar can be reinforced at your choice!
- It is used for safety and security purpose against child climbing across windows and protection against window break-ins.
- It save energy cost by allowing fresh air coming inside while locking the window to stop strong wind forcing the window to close unexpectedly.
- It can be used for top hung and side hung windows
- Simply unlocking the restrictor, the window can be fully opened.



Tel: (852) 3105 9933 Fax: (852) 3007 4895 E-Mail: info@cylaxltd.com
<http://www.cylaxltd.com> & <http://www.alibaba.com/member/cylax/product.html>

SRS Safety Restrictor Stays with Locking System

PEAK
WINDOW FRICTION STAYS

A built-in child resistant mechanism limits its opening to restricted positions for safety and security purposes. Simply press the button to lock or unlock the window.

2 locks for 12"

3 locks for 14" and 16"



Size	Stack height (mm)	Max height	Max width	Max weight (kgs)	Opening angles ($\pm 2^\circ$)
12"	13.5 \pm 0.5	1200	600	16	15/58°
14"	13.5 \pm 0.5	1200	600	18	15/60/80°
16"	13.5 \pm 0.5	1200	600	20	15/60/88°

This well design friction stay also helps to save energy cost by locking the window at restricted position so as to allow fresh air, while it can lock the window to prevent strong wind forcing the window to close unexpectly.

The window can be locked at 2 or 3 different positions to allow fresh air or for cleaning purpose.



Tel: (852) 3105 9933 Fax: (852) 3007 4895 E-Mail: info@cylaxltd.com

<http://www.cylaxltd.com> & <http://www.alibaba.com/member/cylax/product.html>