



The latest addition to our range of products are Window Rollers these are designed to fit a wide range of uPVC Windows & Doors.

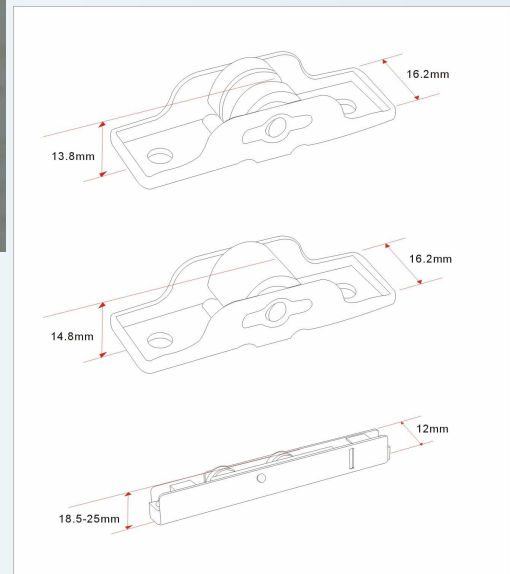
Interested... simply call us we are here to help you!

Key Features

- A safe, flexible, convenient and PROVEN method for opening heavy windows and doors.
- Designed to fit a wide range of uPVC doors and windows.
- Strong and secure a maximum supporting load of 120kgs.
- Using high quality materials the rollers are durable providing a stable platform for your doors and windows tested to 30,000 cycles.
- The surface treatment and materials for both casing and wheels can be tailor-made on request. Simply call us to discuss further the range of options available.



CY-3388
Standard Finish
Material: Mild Steel
Surface treatment: Zinc White Plating
Width: 12mm



Unit 1303, 13/F., Cheong Tai Building 287-289 Reclamation Street, Kowloon, Hong

Kong 香港九龍新填地街287-289號昌泰大廈13樓1303室

Tel: 852 3105 9933 Fax: 852 3007 4895

Email: info@cylaxltd.com

<http://www.cylaxltd.com> & <http://www.alibaba.com/member/cylax/product.html>